



US00D742114S

(12) **United States Design Patent**
Pearce

(10) **Patent No.:** **US D742,114 S**

(45) **Date of Patent:** **** Nov. 3, 2015**

(54) **RADIO-HOLDER MEMBER FOR USE WITH A BELT-MOUNTED, TWO-WAY RADIO HOLDER UNIT ASSEMBLY**

8,141,210 B2 3/2012 Colorado
8,177,107 B2 5/2012 Keckskes
D675,014 S 1/2013 Adelman et al.
D685,991 S 7/2013 Pearce
D686,409 S 7/2013 Pearce

(71) Applicant: **Creative Law Enforcement Resources, Inc.**, South Pasadena, CA (US)

* cited by examiner

(72) Inventor: **Timothy A Pearce**, Torrance, CA (US)

Primary Examiner — Catheri Oliver-Garcia

(73) Assignee: **Creative Law Enforcement Resources, Inc.**, South Pasadena, CA (US)

(74) *Attorney, Agent, or Firm* — BL Speer & Associates; Brenda L. Speer

(**) Term: **15 Years**

(57) **CLAIM**

The ornamental design for a radio-holder member for use with a belt-mounted, two-way radio holder unit assembly, as shown and described.

(21) Appl. No.: **29/533,870**

(22) Filed: **Jul. 22, 2015**

DESCRIPTION

(51) **LOC (10) Cl.** **03-01**

FIG. 1 is a left, bottom and rear perspective view of a radio-holder member for use with a belt-mounted, two-way radio holder unit assembly;

(52) **U.S. Cl.**

USPC **D3/218**

FIG. 2 is a right rear perspective view of the radio-holder member for use with a belt-mounted, two-way radio holder unit assembly.

(58) **Field of Classification Search**

USPC D3/218, 215; 24/573.11, 580.11, 663, 24/667, 669, 682.1, DIG. 60; 224/197, 224/272; 248/221.11; D14/240, 253

FIG. 3 is a rear elevation view of the radio-holder member for use with a belt-mounted, two-way radio holder unit assembly.

See application file for complete search history.

FIG. 4 is a left side view of the radio-holder member for use with a belt-mounted, two-way radio holder unit assembly.

(56) **References Cited**

U.S. PATENT DOCUMENTS

3,743,147 A 7/1973 Wilczynski
4,419,794 A 12/1983 Horton, Jr. et al.
5,054,170 A 10/1991 Otrusina
5,347,693 A 9/1994 Otrusina
5,584,423 A 12/1996 Wang
5,597,102 A 1/1997 Saarikko et al.
5,850,996 A 12/1998 Liang
5,906,031 A 5/1999 Jensen
D436,948 S * 1/2001 Carlson D14/240
6,233,788 B1 5/2001 Choy et al.
D478,418 S * 8/2003 Badillo D3/218
D548,960 S 8/2007 Tages et al.
D550,450 S * 9/2007 Dong D3/218
D609,460 S 2/2010 Riccardi
7,832,606 B2 11/2010 Sin

FIG. 5 is a right side view of the radio-holder member for use with a belt-mounted, two-way radio holder unit assembly.

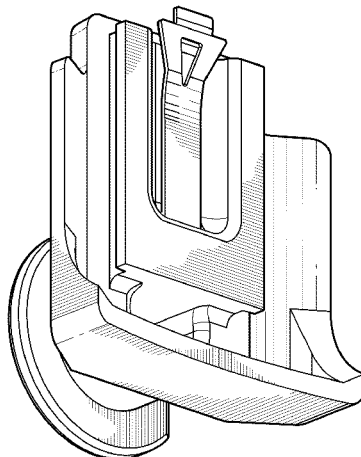
FIG. 6 is a right, bottom and front perspective view of the radio-holder member for use with a belt-mounted, two-way radio holder unit assembly;

FIG. 7 is a left front perspective view of the radio-holder member for use with a belt-mounted, two-way radio holder unit assembly.

FIG. 8 is a front elevation view of the radio-holder member for use with a belt-mounted, two-way radio holder unit assembly; and,

FIG. 9 is a top plan view of the radio-holder member for use with a belt-mounted, two-way radio holder unit assembly.

1 Claim, 9 Drawing Sheets



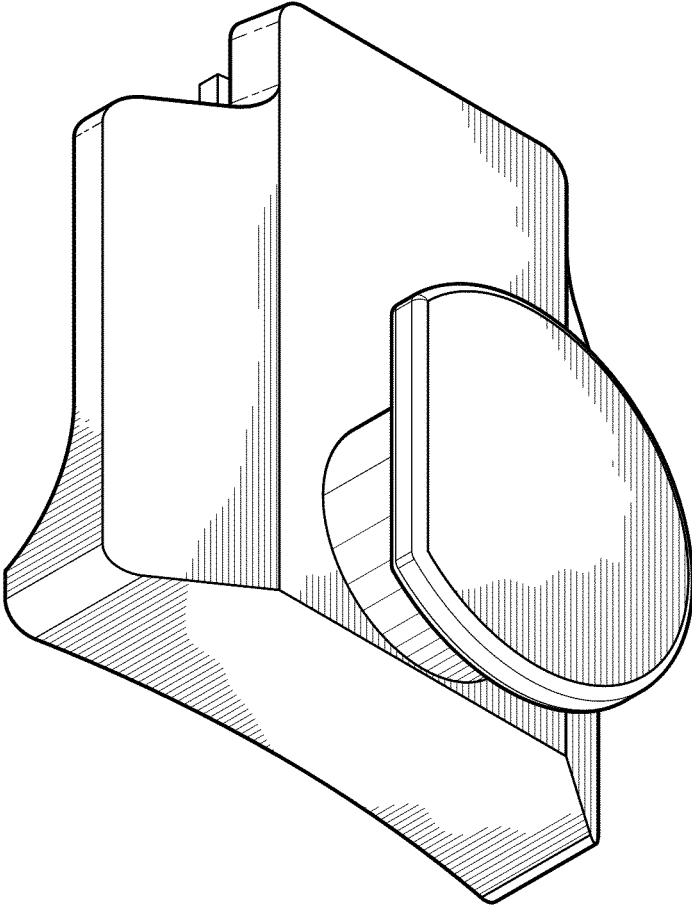


FIG. 1

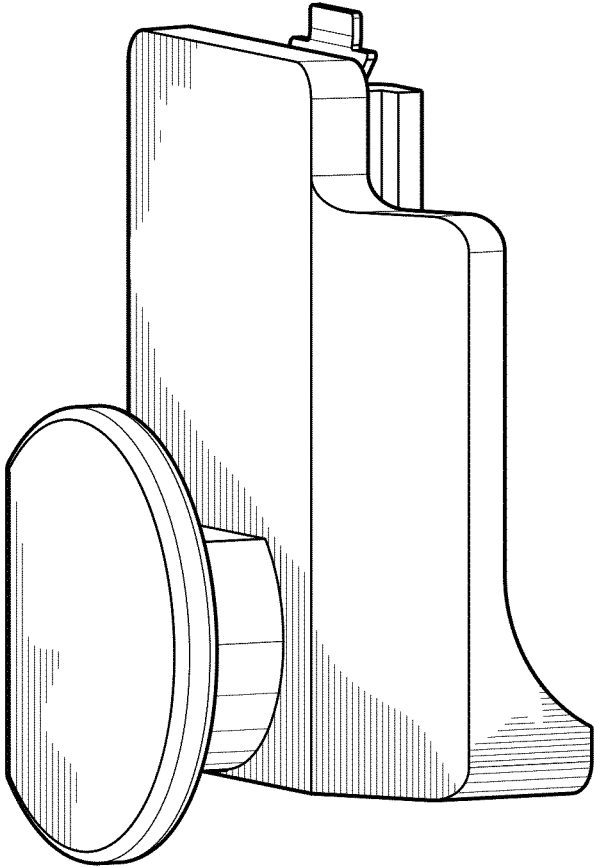


FIG. 2

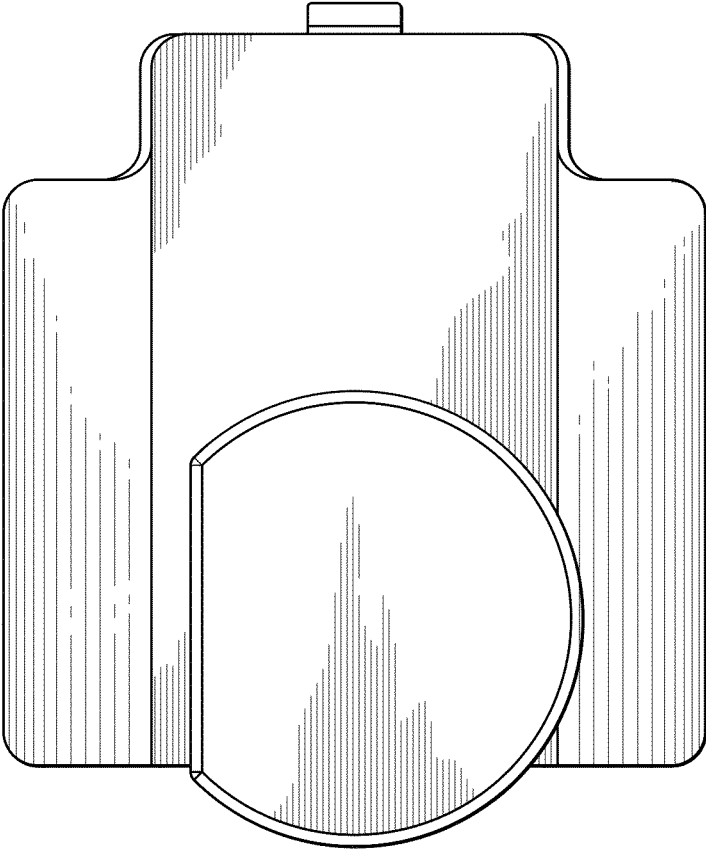


FIG. 3

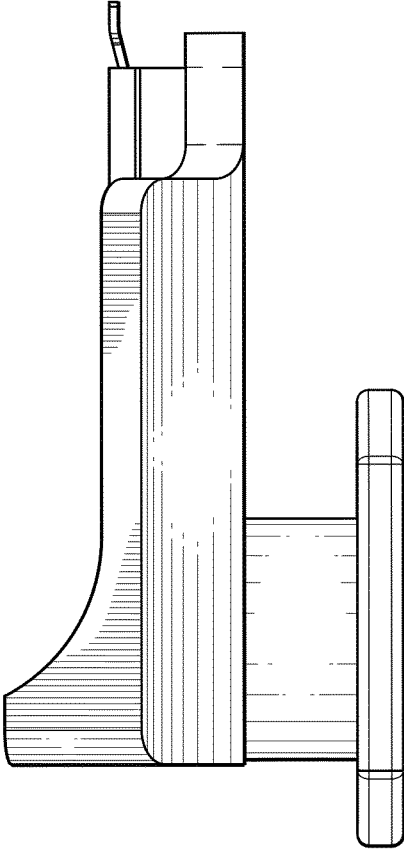


FIG. 4

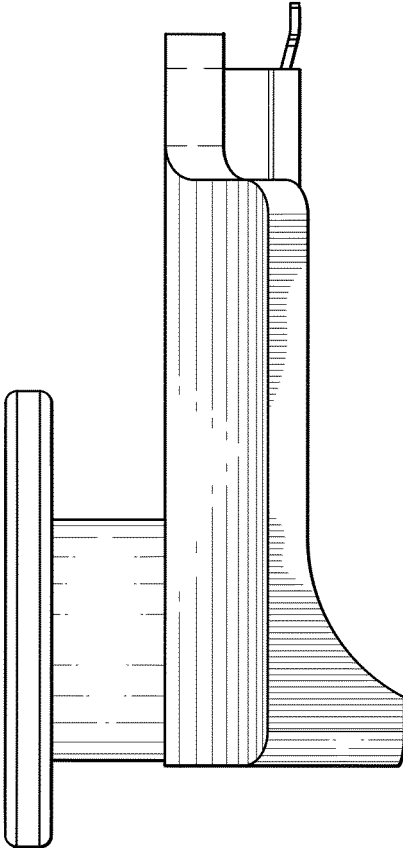


FIG. 5

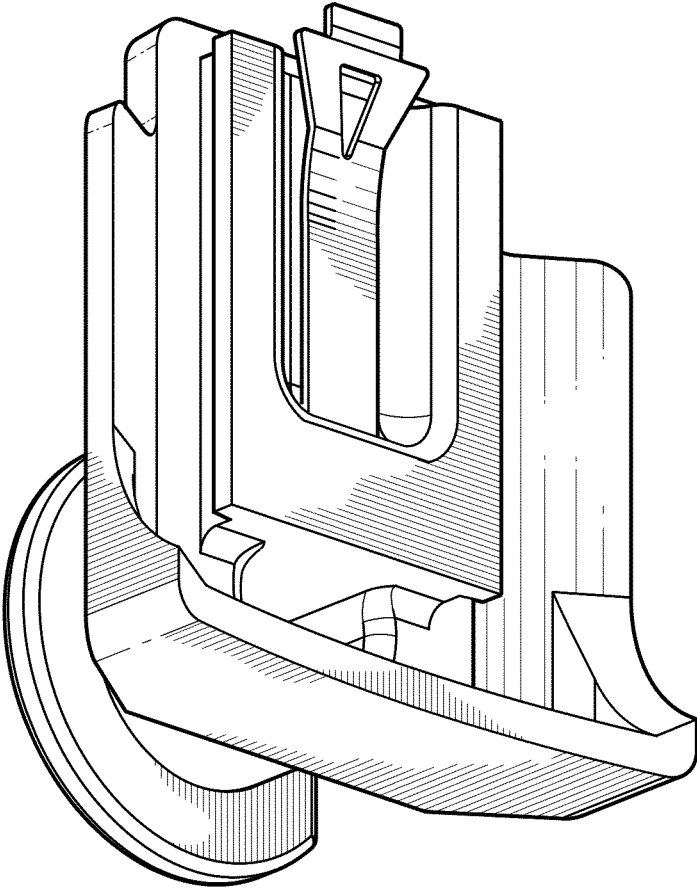


FIG. 6

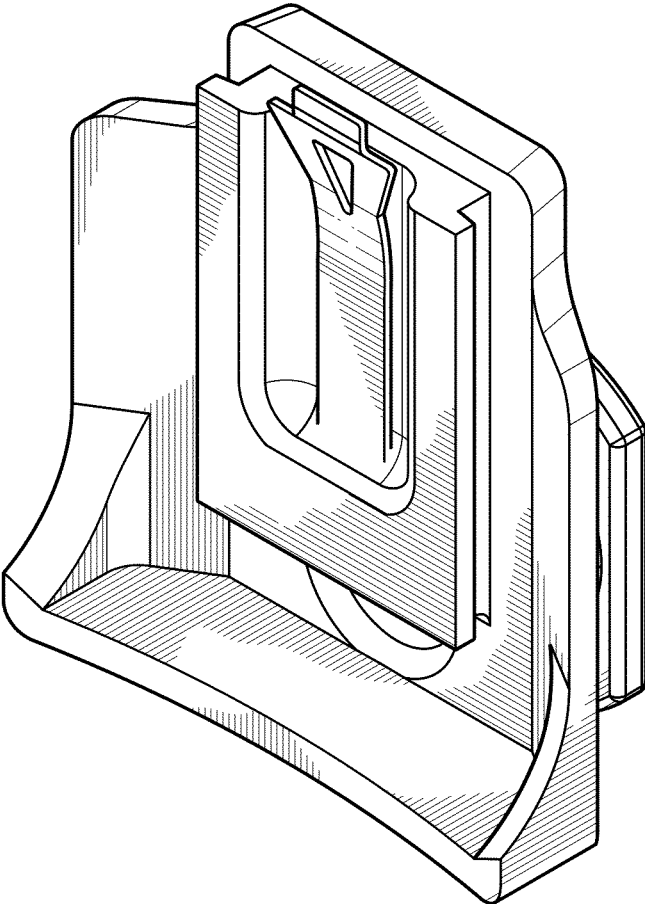


FIG. 7

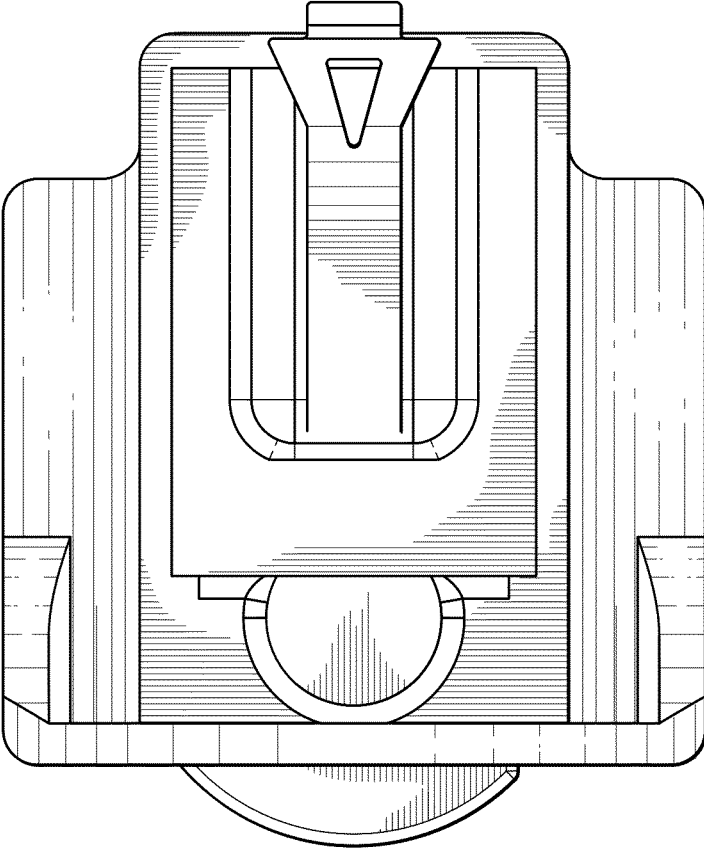


FIG. 8

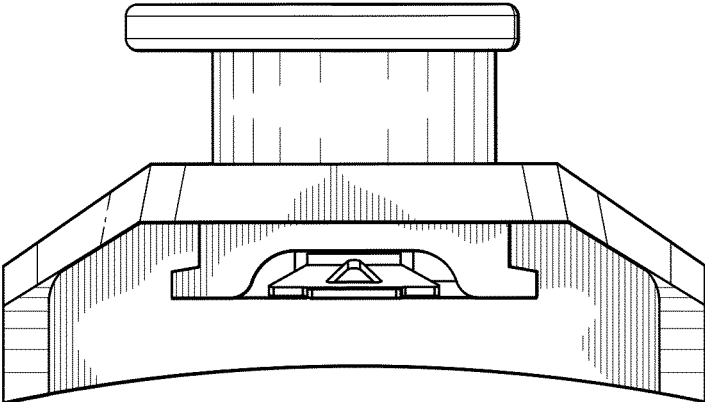


FIG. 9