



US00D360580S

# United States Patent [19]

[11] Patent Number: **Des. 360,580**

**Bomareto**

[45] Date of Patent: **\*\* Jul. 25, 1995**

[54] **OIL SPOUT**

[76] Inventor: **Alex Bomareto**, P.O. Box 64, Dillon, Colo. 80435

[\*\*] Term: **14 Years**

[21] Appl. No.: **21,841**

[22] Filed: **Apr. 25, 1994**

[52] U.S. Cl. .... **D9/447**

[58] Field of Search ..... **D9/434-436, D9/439-440, 447-450, 453-454; D7/396.2; 215/211, 216, 232; 220/256, 288, DIG. 5, DIG. 7; 222/189, 460, 525, 541, 566-567, 570-571, 575**

[56] **References Cited**

**U.S. PATENT DOCUMENTS**

D. 209,871	1/1968	Grebow .....	D9/447
D. 274,696	7/1984	Marsden .....	D9/447
D. 277,460	2/1985	Vadnais .....	D9/447
D. 277,827	3/1985	Olsson .....	D9/447
D. 278,981	5/1985	Biermann .....	D9/447
D. 279,867	7/1985	Marg .....	D9/442
D. 298,015	10/1988	Gendron et al. ....	D9/447
D. 318,233	7/1991	Ackerman .....	D9/447
D. 336,044	6/1993	Miller et al. ....	D9/447
D. 339,985	10/1993	Tarte .....	D9/447
1,600,006	9/1926	Kruger .	

2,047,242	7/1936	Young .....	222/460
3,071,294	1/1963	Galbierz .....	222/566
3,093,274	6/1963	Galbierz .....	222/566
3,206,073	9/1965	Scislowicz .....	222/525
3,537,623	11/1970	Fisher .....	222/460
4,136,693	1/1979	Dyke .....	222/189
4,600,125	7/1986	Maynard, Jr. ....	222/460
5,104,013	4/1992	Hawley .....	222/566

**FOREIGN PATENT DOCUMENTS**

570598	7/1945	United Kingdom .....	220/256
--------	--------	----------------------	---------

*Primary Examiner*—Alan P. Douglas

*Assistant Examiner*—R. Spear

*Attorney, Agent, or Firm*—Brenda L. Morrison

[57] **CLAIM**

The ornamental design for an oil spout, as shown and described.

**DESCRIPTION**

FIG. 1 is a perspective view of an oil spout showing my new design;  
 FIG. 2 is a perspective view from the opposite end thereof;  
 FIG. 3 is a left side elevational view thereof, the right side elevational view being a mirror image of the left side elevational view; and,  
 FIG. 4 is a bottom elevational view thereof.

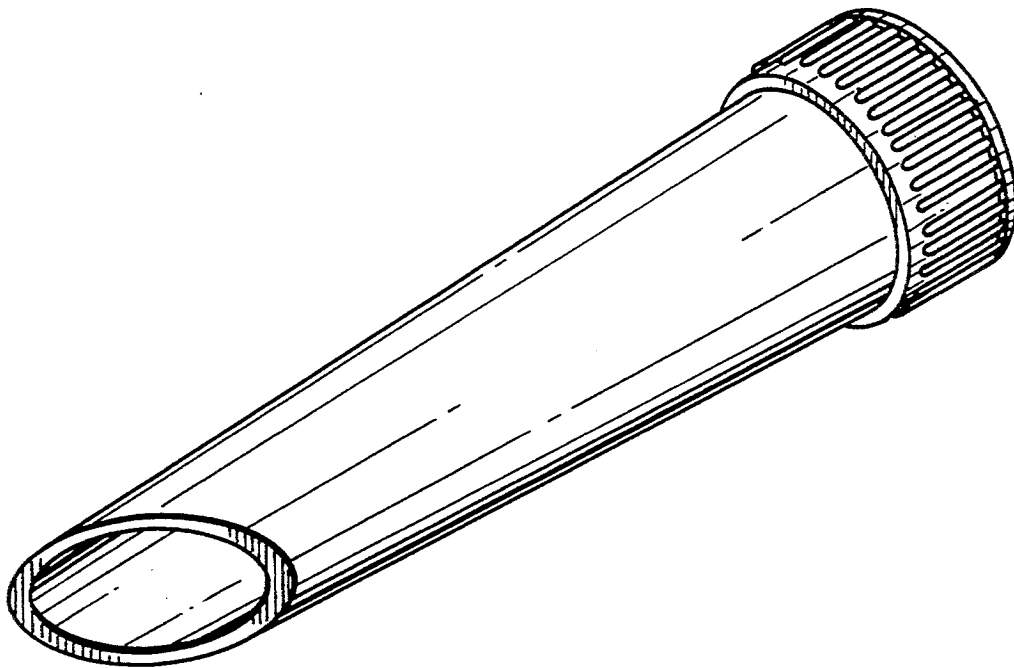


FIG. 1

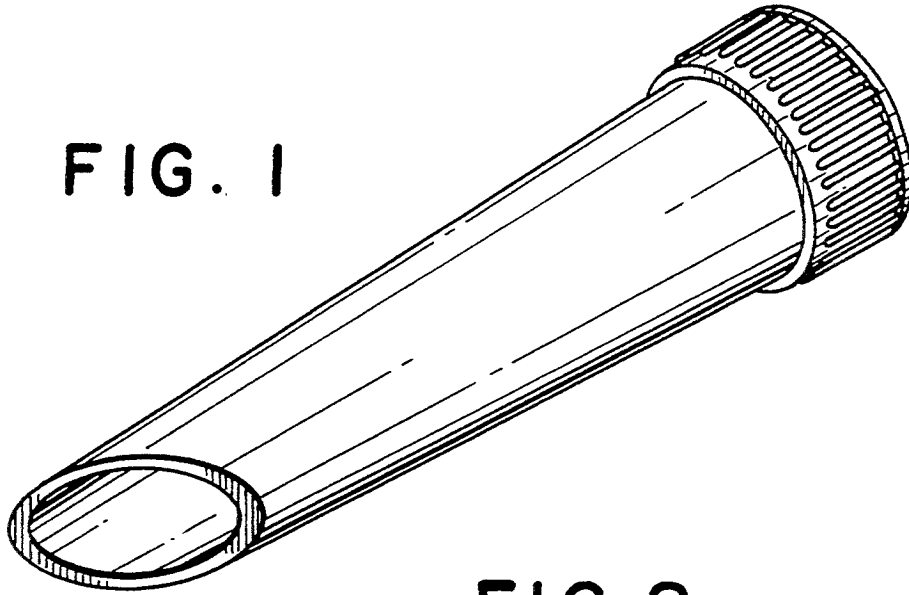


FIG. 2

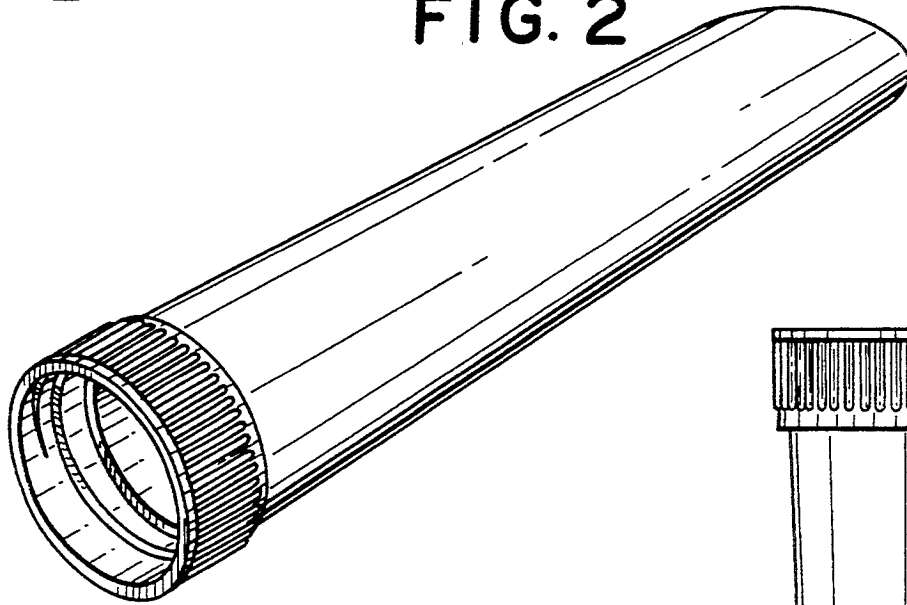


FIG. 3

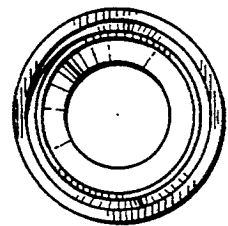
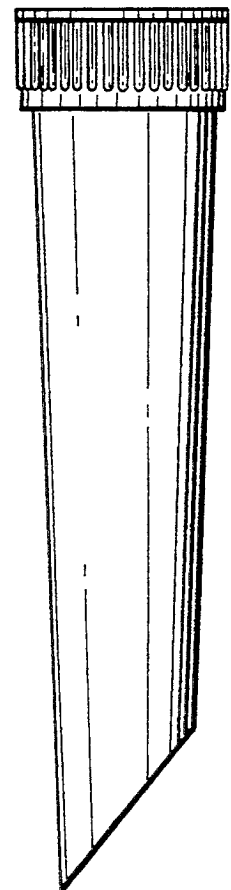


FIG. 4