



(12) **United States Design Patent**
Pearce

(10) **Patent No.:** **US D686,409 S**
(45) **Date of Patent:** **** Jul. 23, 2013**

(54) **BELT-MOUNTED, TWO-WAY RADIO
HOLDER UNIT ASSEMBLY**

(76) Inventor: **Timothy A Pearce**, Redondo Beach, CA
(US)

(**) Term: **14 Years**

(21) Appl. No.: **29/404,501**

(22) Filed: **Oct. 21, 2011**

(51) **LOC (9) Cl.** **03-01**

(52) **U.S. Cl.**
USPC **D3/218**

(58) **Field of Classification Search**

USPC D3/218, 215; 224/197, 199, 219,
224/222, 247, 269, 271-272, 666, 668;
248/221.11, 518; 24/3.12, 573.11, 580.11,
24/663, 669, DIG. 60; 455/351

See application file for complete search history.

(56) **References Cited**

U.S. PATENT DOCUMENTS

3,743,147 A 7/1973 Wilczynski
4,419,794 A * 12/1983 Horton et al. 24/667

(Continued)

Primary Examiner — Catheri Oliver-Garcia

(74) *Attorney, Agent, or Firm* — BL Speer & Associates;
Brenda L. Speer

(57) **CLAIM**

The ornamental design for a belt-mounted, two-way radio holder unit assembly, as shown and described.

DESCRIPTION

FIG. 1 is a right front perspective view of a belt-mount member, in accordance with a first embodiment thereof, of a belt-mounted, two-way radio holder unit assembly.

FIG. 2 is a left front perspective view of the belt-mount member, in accordance with the first embodiment thereof, of the belt-mounted, two-way radio holder unit assembly.

FIG. 3 is a rear elevation view of the belt-mount member, in accordance with the first embodiment thereof, of the belt-mounted, two-way radio holder unit assembly.

FIG. 4 is a bottom perspective view of the belt-mount member, in accordance with a first embodiment thereof, of the belt-mounted, two-way radio holder unit assembly.

FIG. 5 is a left front perspective view of a belt-mount member, in accordance with a second embodiment thereof, of the belt-mounted, two-way radio holder unit assembly.

FIG. 6 is a right rear perspective view of the belt-mount member, in accordance with the second embodiment thereof, of the belt-mounted, two-way radio holder unit assembly.

FIG. 7 is a bottom perspective view of the belt-mount member, in accordance with a second embodiment thereof, of the belt-mounted, two-way radio holder unit assembly.

FIG. 8 is a left front perspective view of a belt-mount member, in accordance with a third embodiment thereof, of the belt-mounted, two-way radio holder unit assembly.

FIG. 9 is a right rear perspective view of the belt-mount member, in accordance with the third embodiment thereof, of the belt-mounted, two-way radio holder unit assembly.

FIG. 10 is a bottom perspective view of the belt-mount member, in accordance with the third embodiment thereof, of the belt-mounted, two-way radio holder unit assembly.

FIG. 11 is a right front perspective view of a radio holder member, in accordance with a first embodiment thereof, of the belt-mounted, two-way radio holder unit assembly.

FIG. 12 is a left rear perspective view of the radio holder member, in accordance with the first embodiment thereof, of the belt-mounted, two-way radio holder unit assembly.

FIG. 13 is a left front perspective view of a radio holder member, in accordance with a second embodiment thereof, of the belt-mounted, two-way radio holder unit assembly.

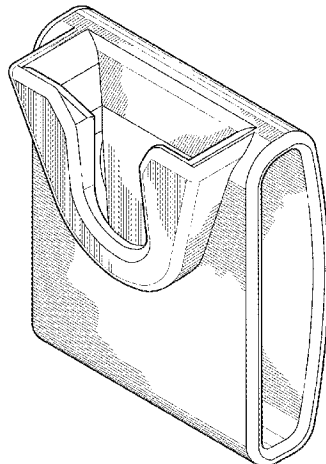
FIG. 14 is a right front perspective view of the radio holder member, in accordance with the second embodiment thereof, of the belt-mounted, two-way radio holder unit assembly.

FIG. 15 is a top plan view of the radio holder member, in accordance with the second embodiment thereof, of the belt-mounted, two-way radio holder unit assembly; and,

FIG. 16 is a left front perspective view of the belt-mount member, in accordance with the second embodiment thereof, in mated relation with the radio holder member, in accordance with the first embodiment thereof, of the belt-mounted, two-way radio holder unit assembly.

In FIG. 16, the broken lines showing environmental structure of a belt within a belt-mount member and a two-way radio mounted on a radio holder member of the belt-mounted, two-way radio holder unit assembly are for illustrative purposes only and form no part of the claimed design.

1 Claim, 16 Drawing Sheets



US D686,409 S

Page 2

U.S. PATENT DOCUMENTS									
5,054,170	A	10/1991	Otrusina		D478,418	S *	8/2003	Badillo et al.	D3/218
5,347,693	A *	9/1994	Otrusina	24/573.11	D548,960	S *	8/2007	Tages et al.	D3/218
5,584,423	A *	12/1996	Wang	224/197	D609,460	S *	2/2010	Riccardi	D3/218
5,597,102	A	1/1997	Saarikko et al.		7,832,606	B2	11/2010	Sin	
5,850,996	A	12/1998	Liang		8,141,210	B2 *	3/2012	Colorado	24/3.12
5,906,031	A	5/1999	Jensen		D675,014	S *	1/2013	Adelman et al.	D3/218
6,233,788	B1	5/2001	Choy et al.						

* cited by examiner

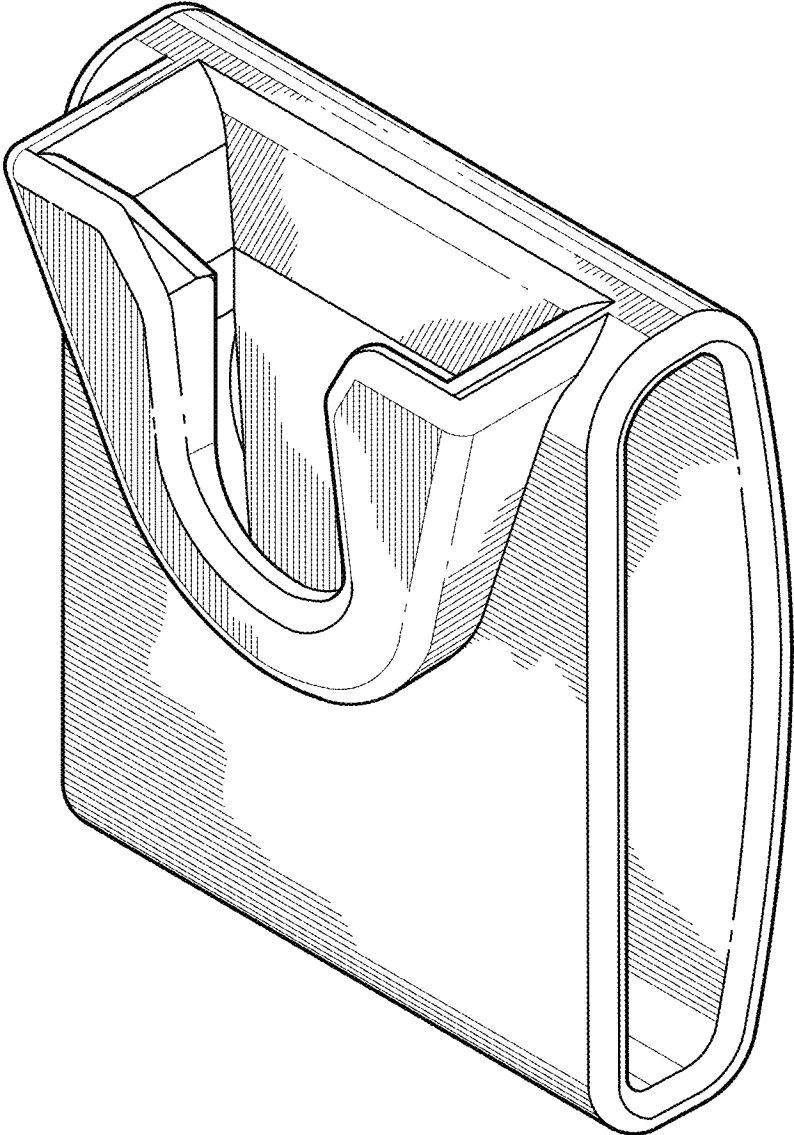


FIG. 1

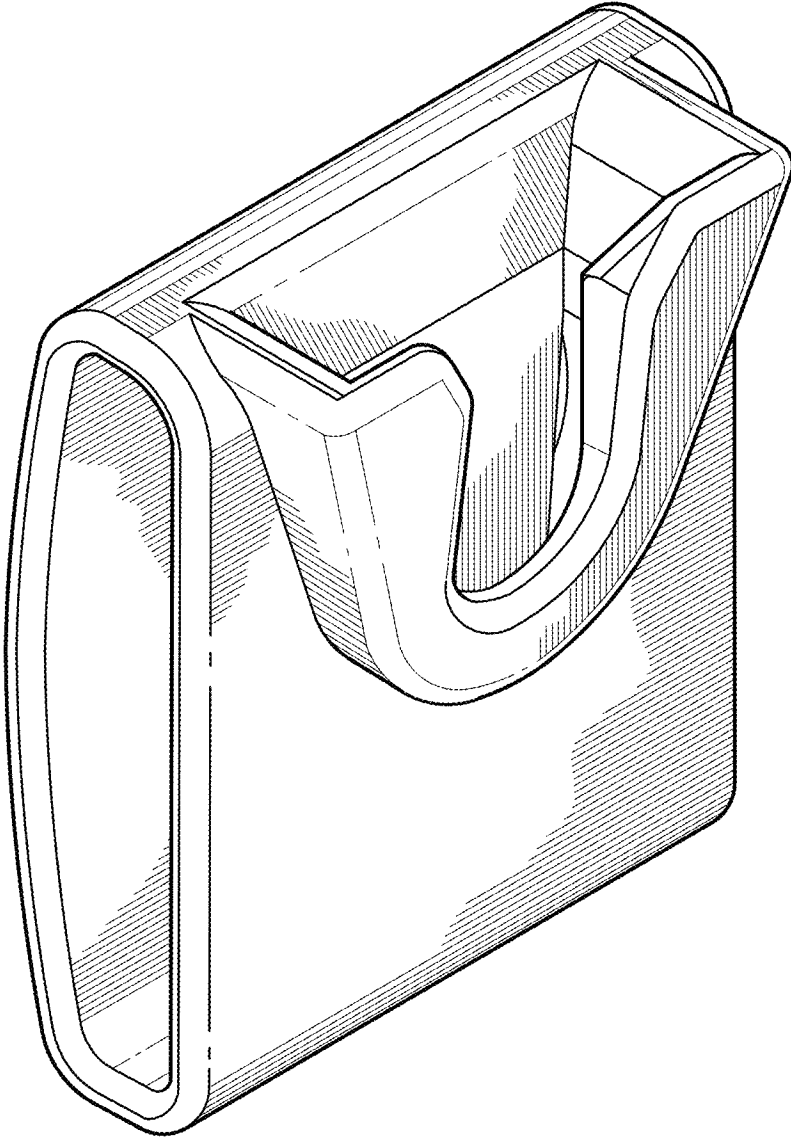


FIG. 2

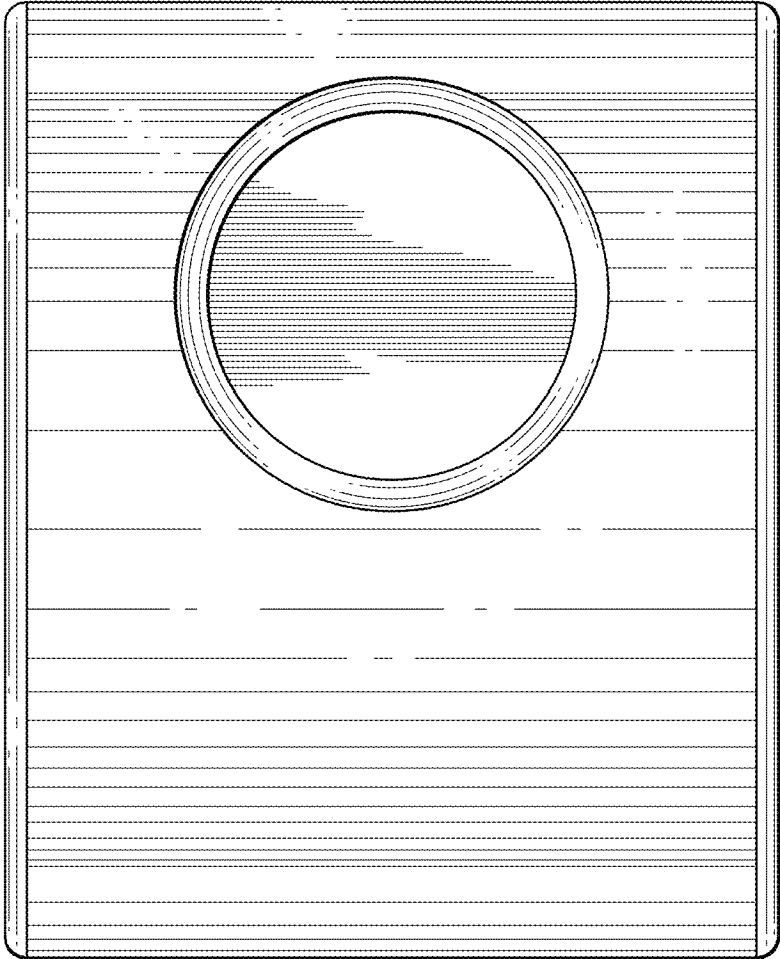


FIG. 3

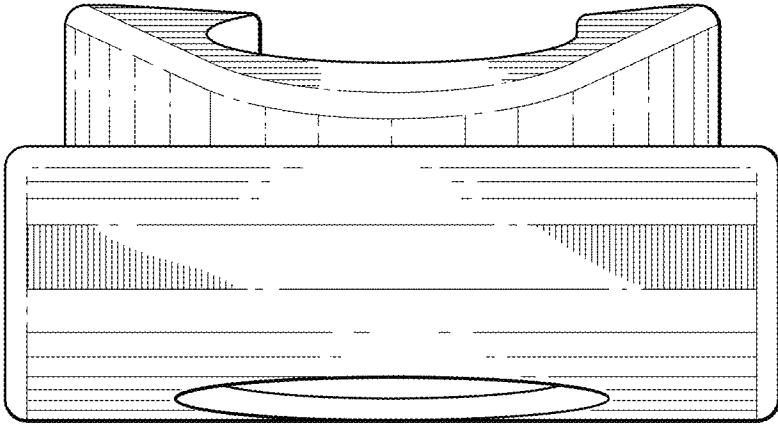


FIG. 4

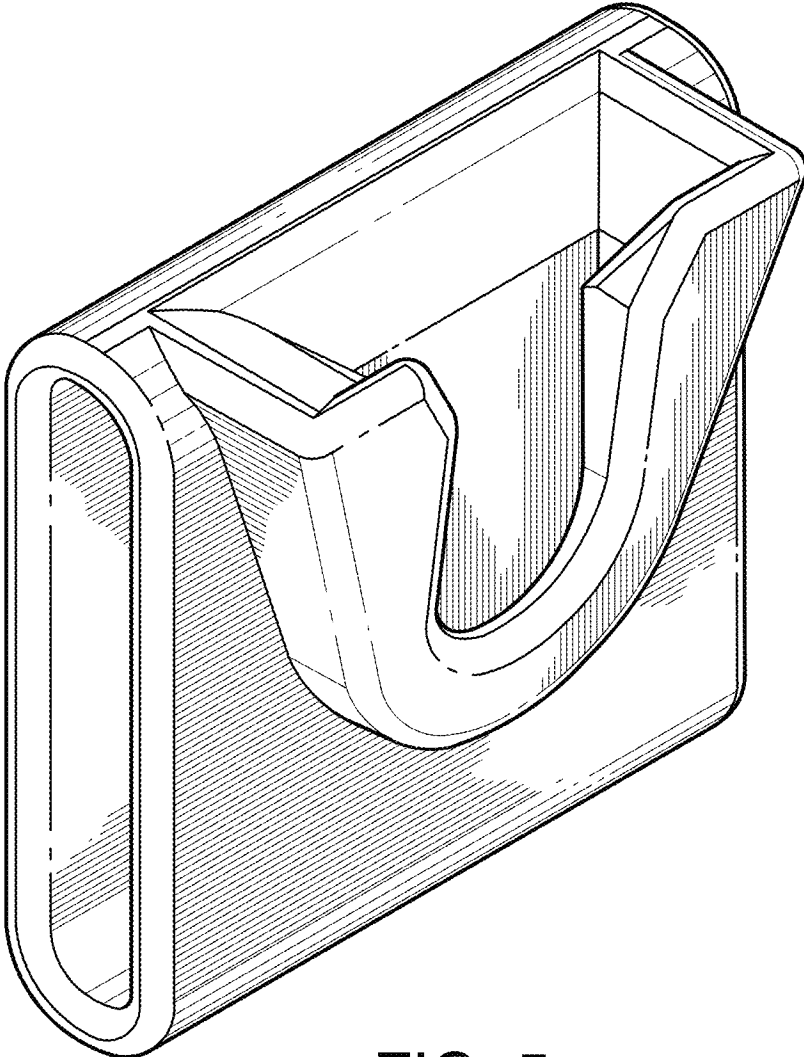


FIG. 5

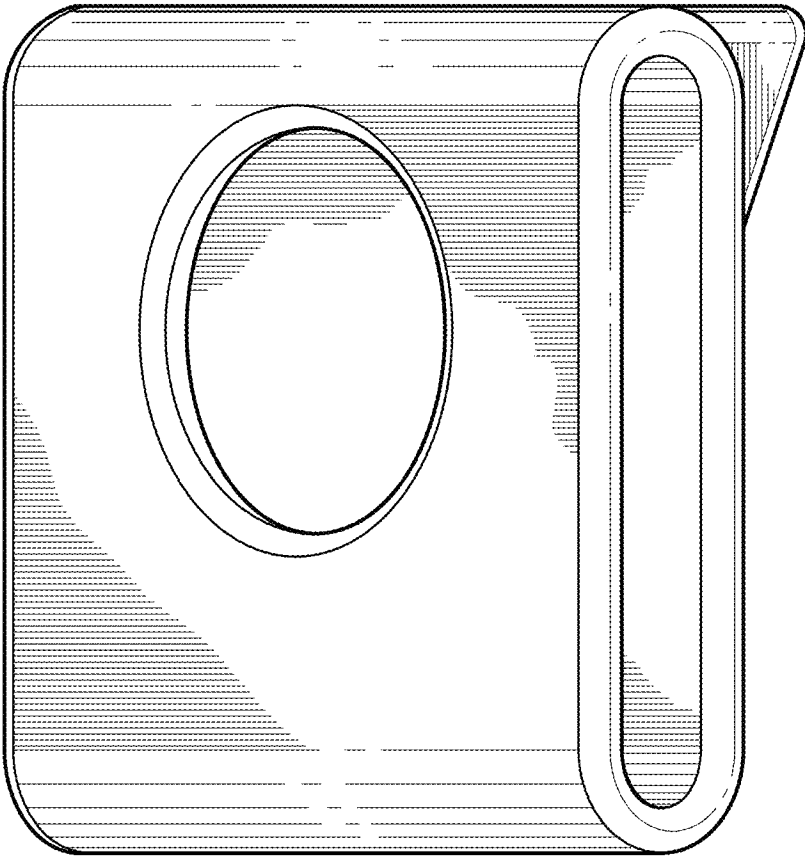


FIG. 6

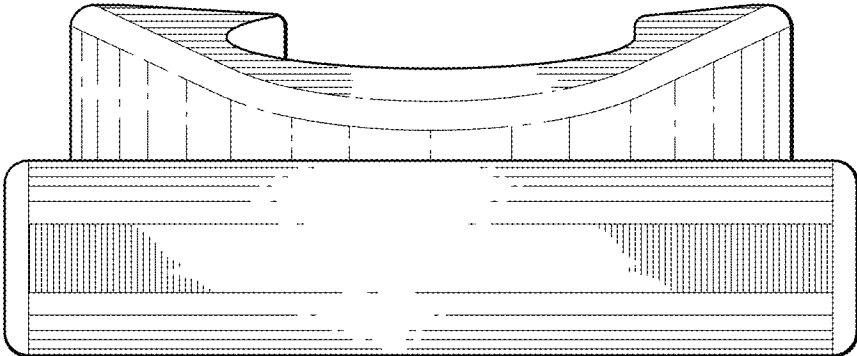


FIG. 7

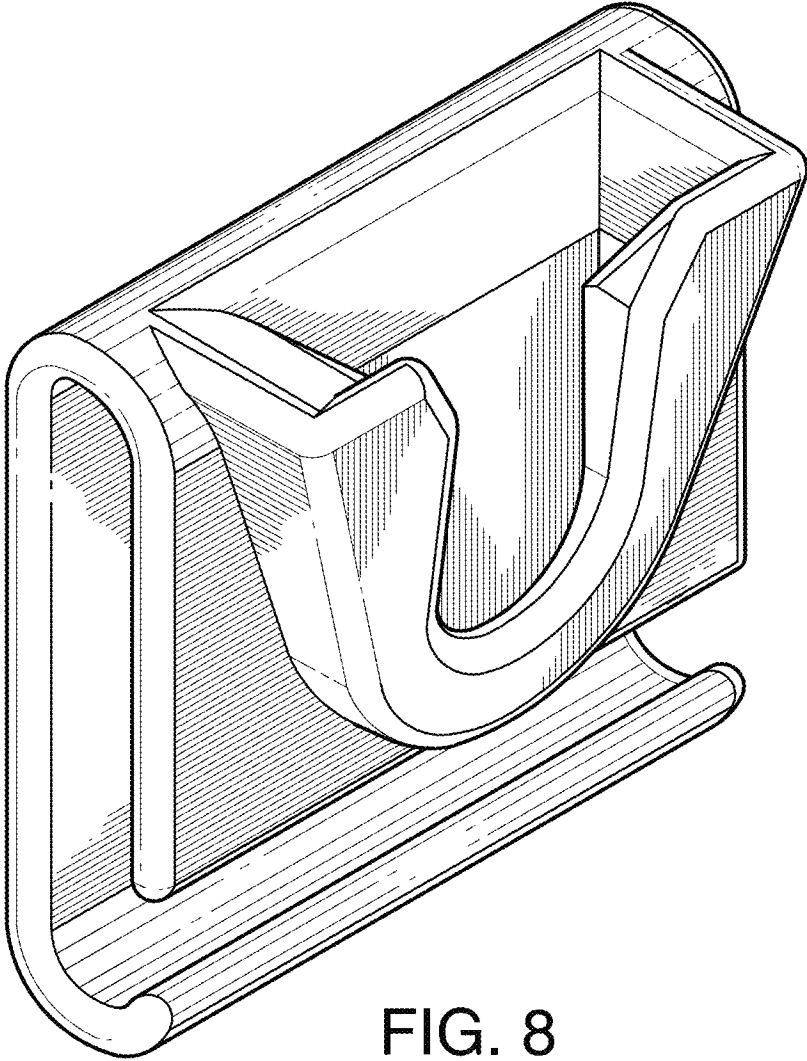


FIG. 8



FIG. 9

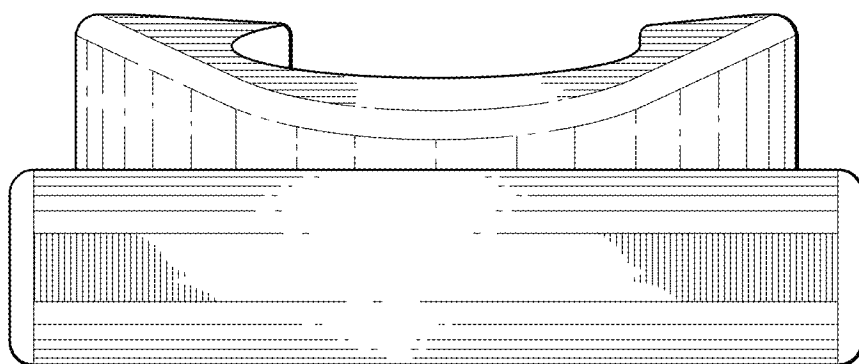


FIG. 10

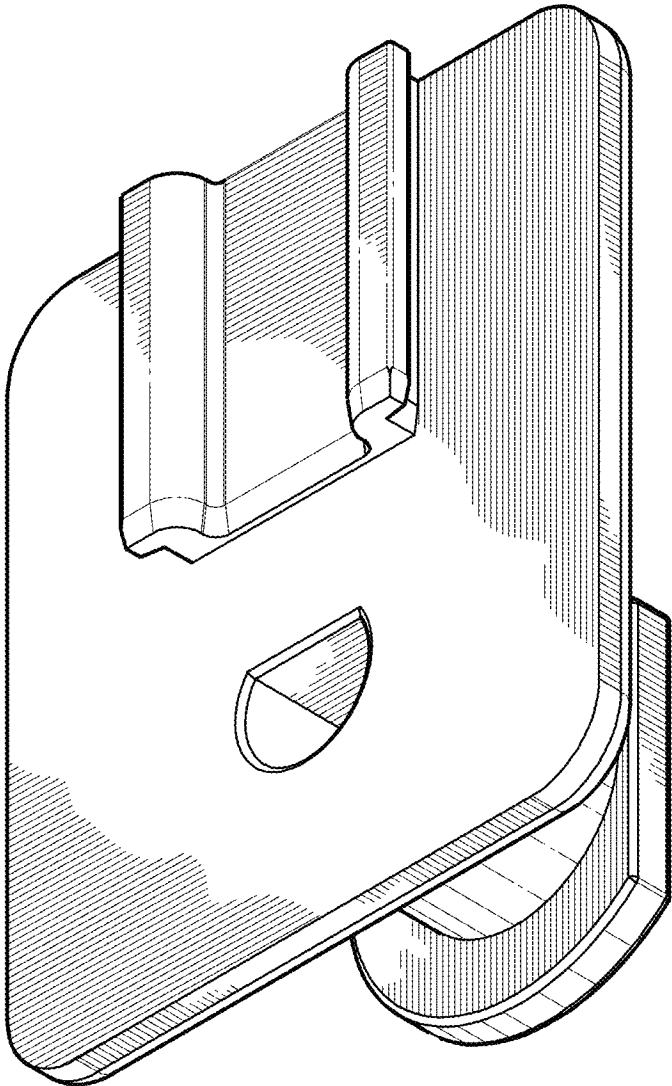


FIG. 11

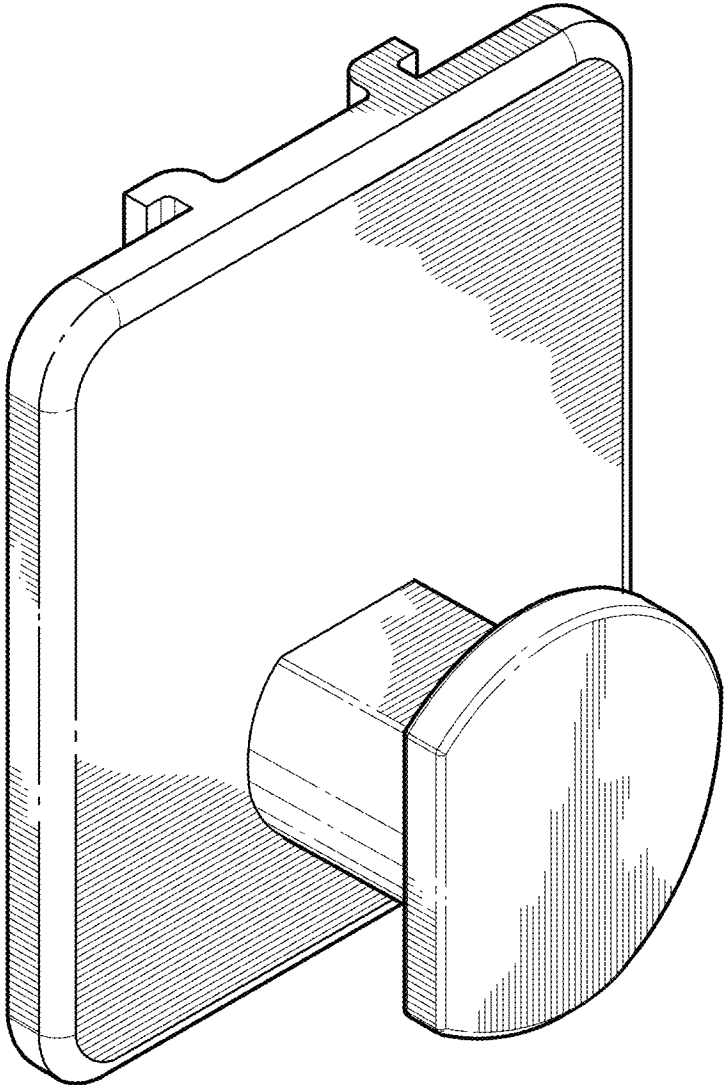


FIG. 12

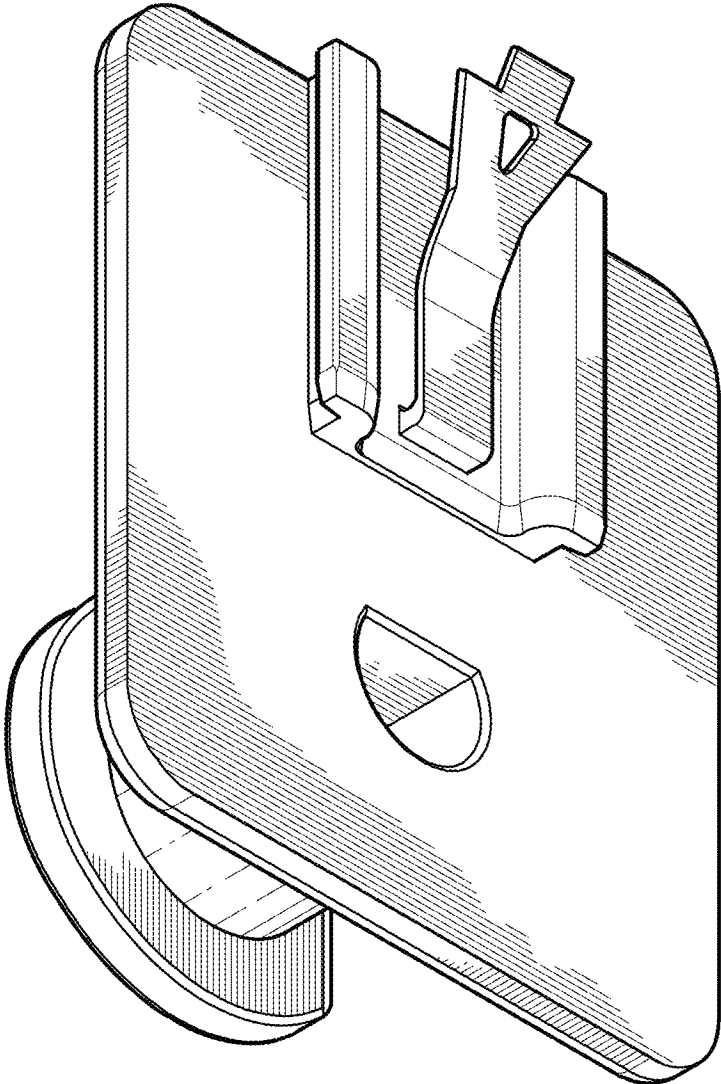


FIG. 13

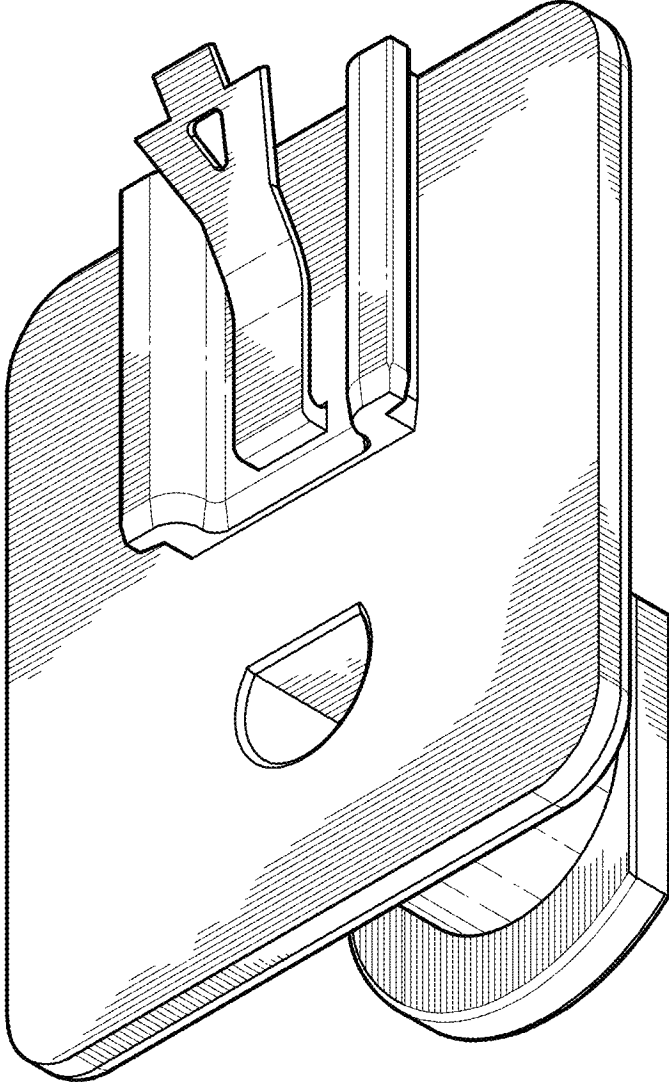


FIG. 14

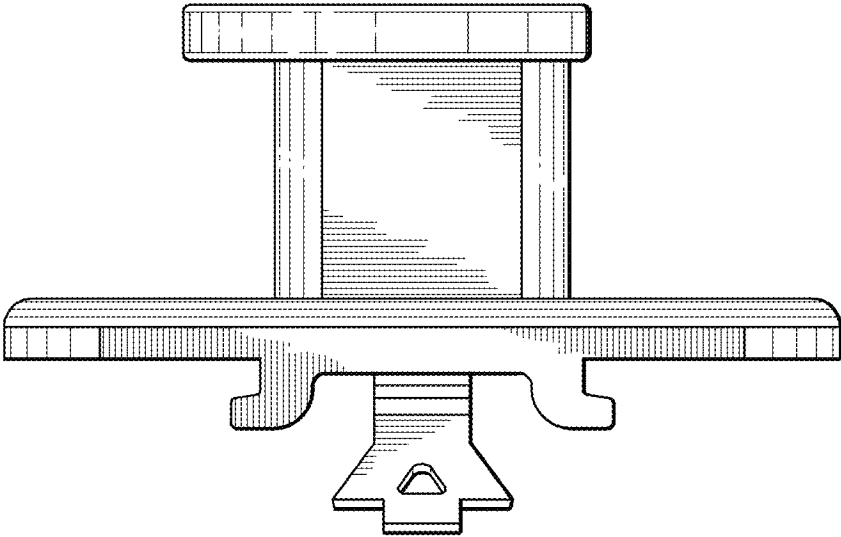


FIG. 15

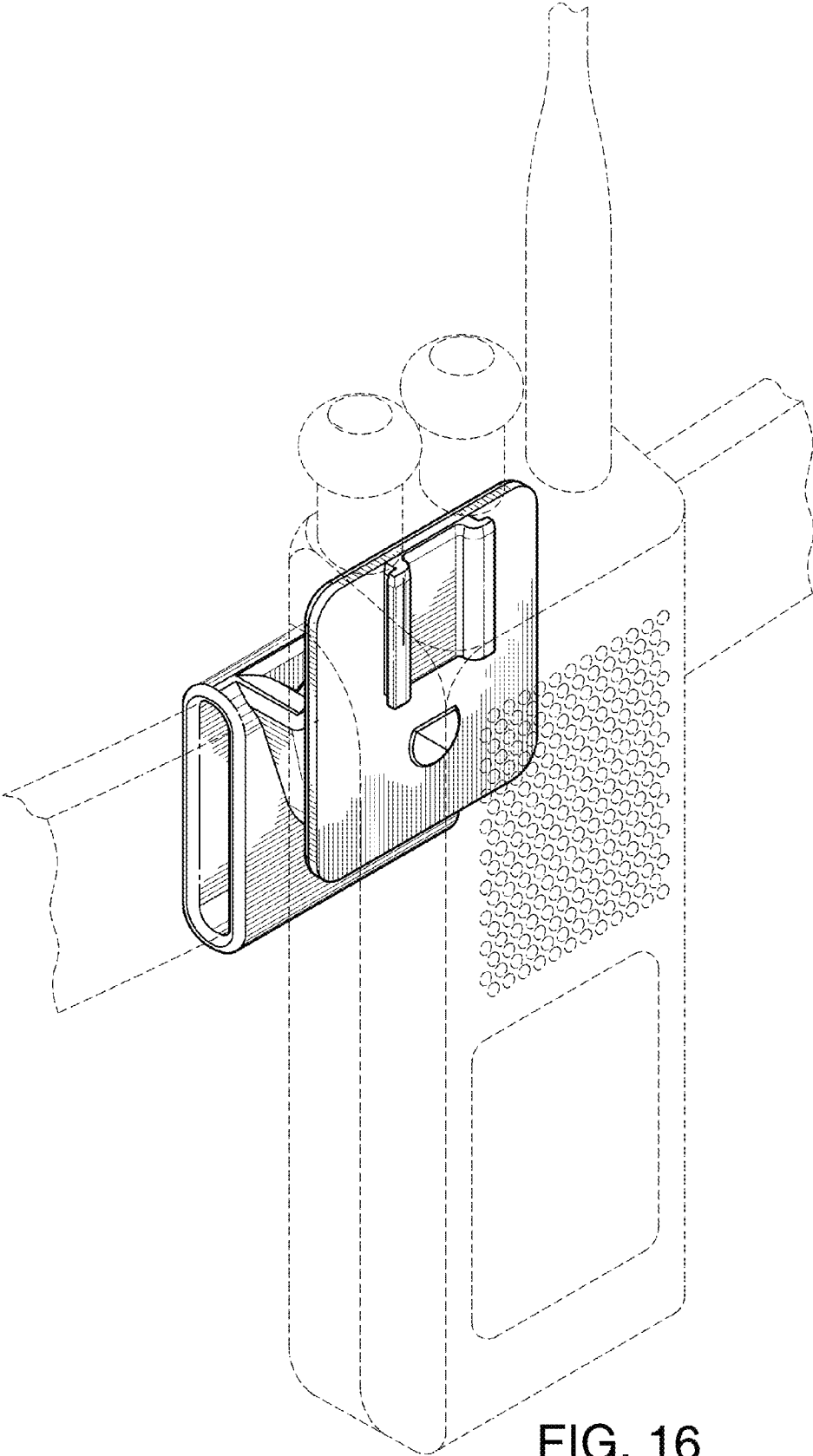


FIG. 16