



US 20100132226A1

(19) **United States**

(12) **Patent Application Publication**
Dochter

(10) **Pub. No.: US 2010/0132226 A1**

(43) **Pub. Date: Jun. 3, 2010**

(54) **ATTACHABLE CUFF FOR A BOOT**

(57) **ABSTRACT**

(76) Inventor: **Kelli Dochter**, Trinidad, CO (US)

Correspondence Address:
Brenda L. Speer, LLC
29 East Moreno Avenue
Colorado Springs, CO 80903-3915 (US)

(21) Appl. No.: **12/325,861**

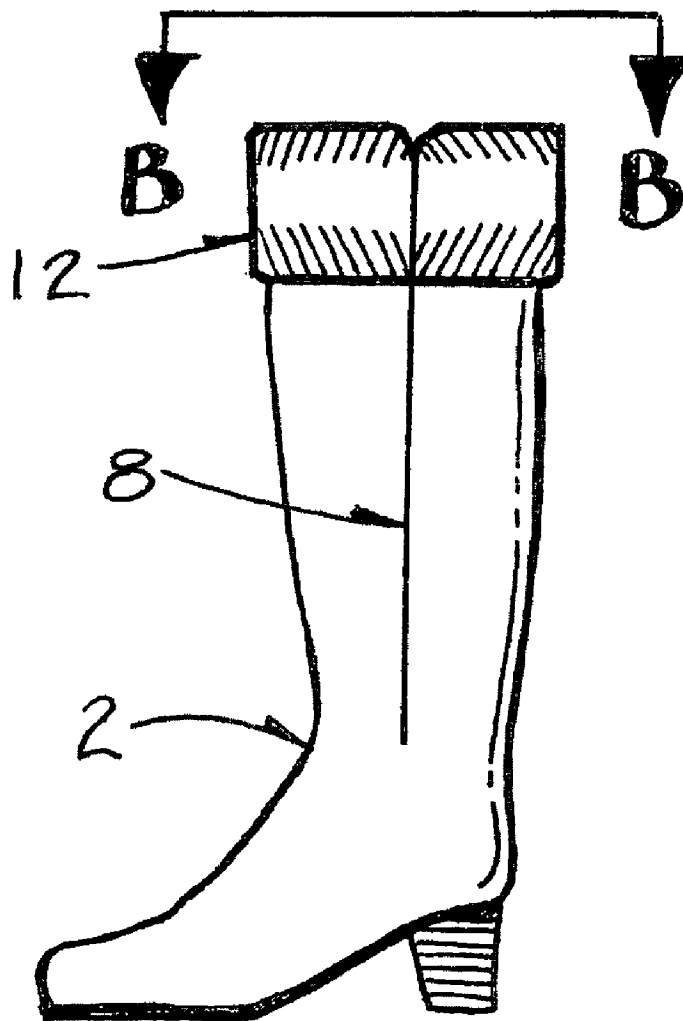
(22) Filed: **Dec. 1, 2008**

Publication Classification

(51) **Int. Cl.**
A43B 23/00 (2006.01)

(52) **U.S. Cl.** **36/136**

The present invention relates to a fashion accessory, in particular an attachable cuff for a boot. The attachable cuff for a boot comprises a cuff; a cuff attachment means affixed to said cuff; and a boot attachment means affixed to a boot; wherein the cuff attachment means and the boot attachment means mate with each other and removably attach the cuff to the boot. Preferably, the cuff attachment means is affixed to an interior surface of the cuff; and the boot attachment means is affixed to an interior surface of the boot. Alternatively, the boot attachment means is affixed to an exterior surface of the boot. The cuff attachment means and the boot attachment means are selected from a group consisting of hook and loop tape, buttons and buttonholes, snaps, zippers, hooks and eyes, tongue and groove closures, and the like. In an alternative embodiment, the attachable cuff for a boot comprises a cuff and a cuff attachment means affixed to said cuff; wherein the cuff attachment means removably attaches the cuff to the boot or to a leg of a user. In this alternative embodiment, the cuff is fashioned like a garter.



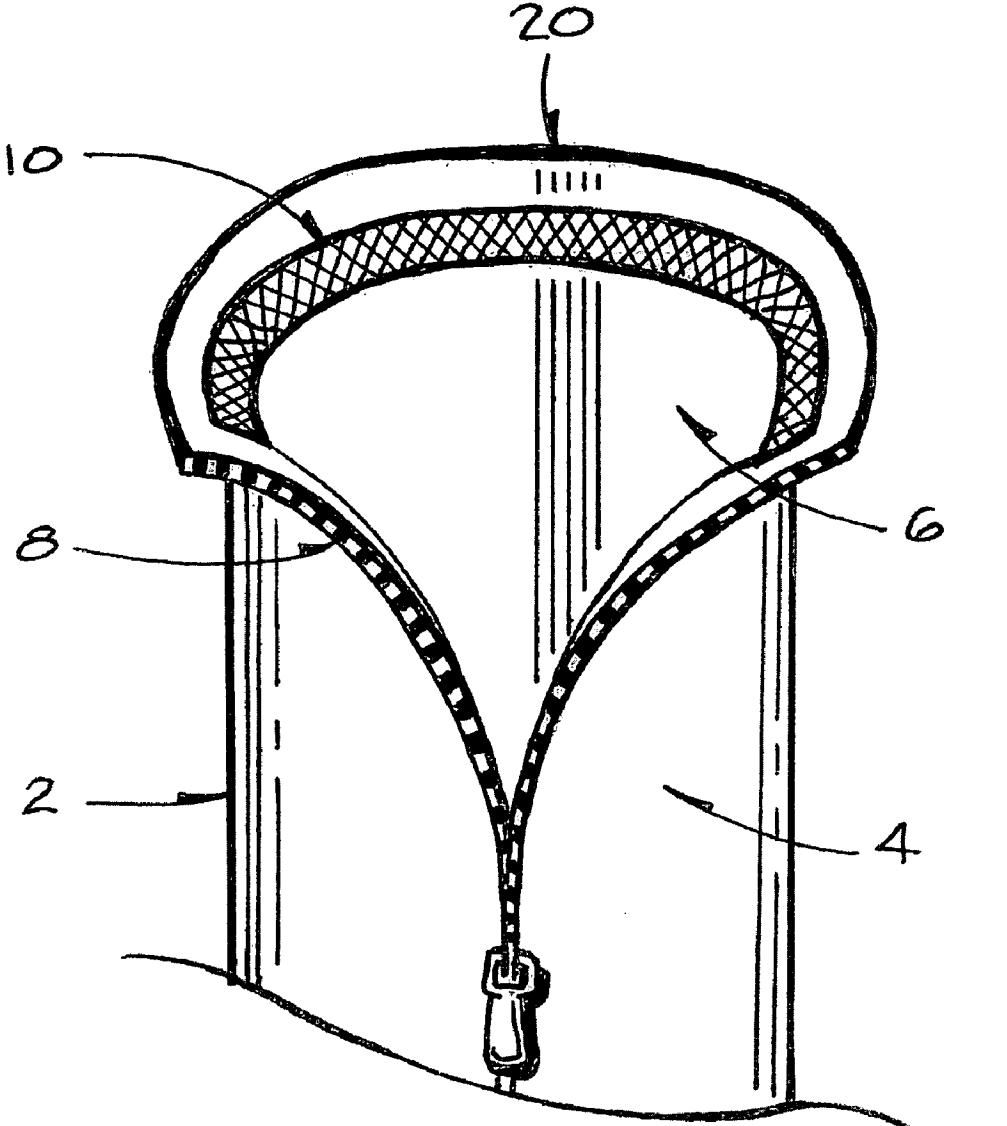


Fig. 1

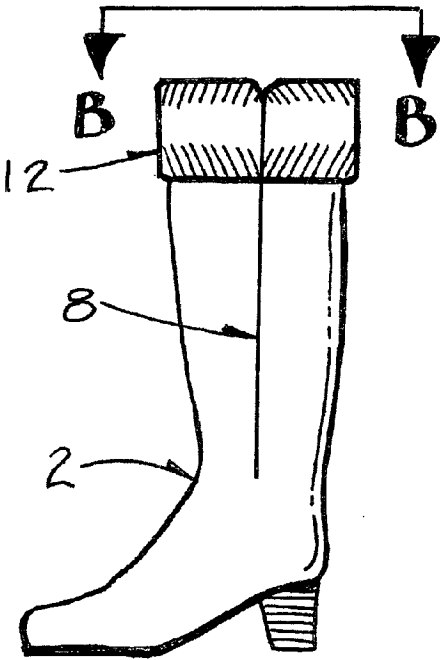


Fig. 2

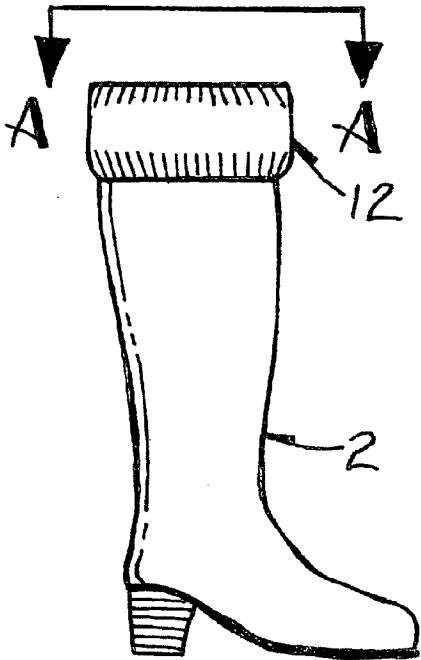


Fig. 3

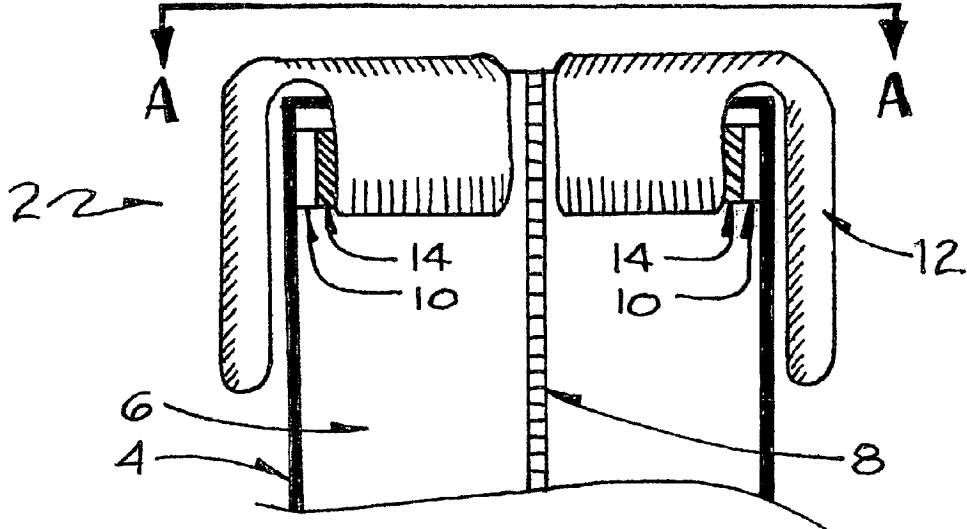


Fig. 4

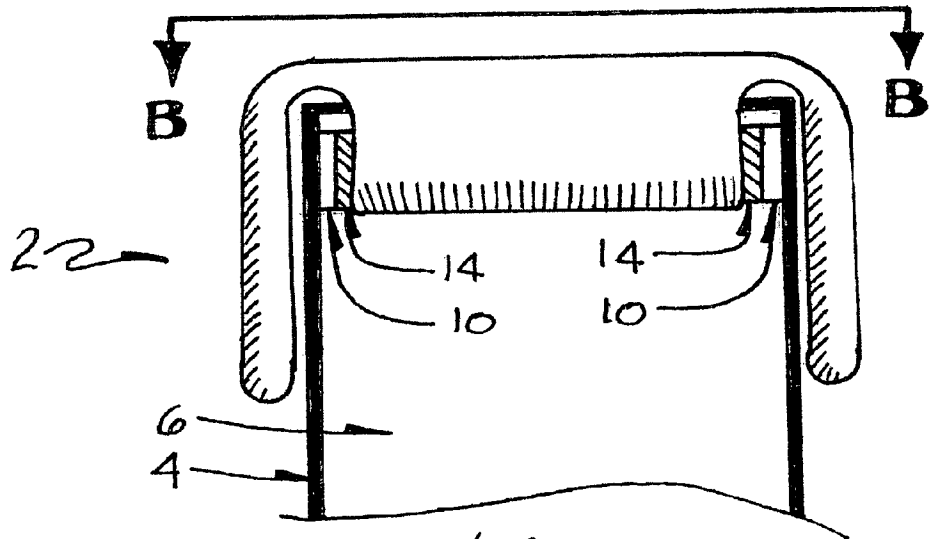


Fig. 5

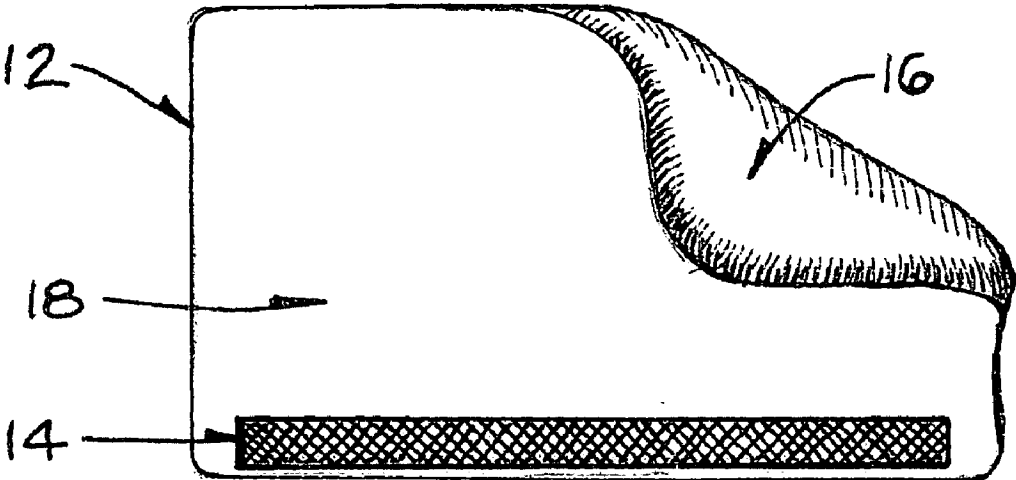


Fig. 6

ATTACHABLE CUFF FOR A BOOT**BACKGROUND OF THE INVENTION**

[0001] 1. Field of the Invention

[0002] The invention relates to a fashion accessory, in particular an attachable cuff for a boot.

[0003] Description of Related Art Including Information Disclosed Under 37 CFR 1.97 and 37 CFR 1.98

[0004] Accessories provide a means to update fashionably an article of clothing, including footwear. Accessories also provide a means to coordinate the various elements of an outfit, such as to tie together a blouse and jacket by means of a scarf which incorporates colors from each independent element of clothing. It is desirable to also coordinate footwear with an outfit.

[0005] There are known means by which to do so. For example, shoes, or footwear that does not extend beyond an ankle of a user, may be accessorized with a clip-on element, such as a buckle or bow, or with an ankle bracelet. It is also desirable to coordinate boots, or footwear that does extend beyond an ankle of a user, with an outfit. Various means by which to transform footwear are disclosed in the prior art.

[0006] For instance, U.S. Pat. No. 4,064,641 issued Dec. 27, 1977, by Levine for Footwear discloses a shoe that is convertible to a boot; namely, an article of footwear having a shoe portion including an upper with a mouth, and a tubular portion adapted to be selectively coupled to the shoe portion. A fastener interconnects one end of the tubular portion to the mouth of the upper. A reversible cuff on the tubular portion is available to conceal the connected fastener and a reversible collar on the shoe portion is available to conceal the unconnected fastener and to prevent any abrasive contact with the leg of the wearer. When the shoe portion is used alone there is provided an ankle boot, and when used in combination with the tubular portion there is provided a calf high boot.

[0007] U.S. Pat. No. 4,586,271 issued May 6, 1986, by Maleyko et al. for an Extendible Boot, and U.S. Pat. No. 4,693,018 issued Sep. 15, 1987, by Maleyko et al. for an Extendible Boot, disclose an extendible boot with an upper having a base portion and an extendible portion. The extendible portion comprises a flexible sleeve joined to the base portion by a peripherally extending joint. The sleeve is rollable from its upper end to form an annular roll at the joint to provide an unextended boot. The sleeve is unrollable from the annular roll to a higher position and thereby provides an extended boot. A cuff has a fixed end connected with one of the portions in the vicinity of the joint and is adapted to be folded over the annular roll. A hook and loop fastener or a snap fastener is provided to hold the cuff in its folded position to retain and conceal the annular roll of the sleeve.

[0008] U.S. Pat. No. 4,958,447 issued Sep. 25, 1990, by DuPree for an Athletic Shoe with Break-Away High Top discloses an athletic shoe with a break-away high top. The shoe comprises an upper which is secured along its lower extent to a sole portion. The upper includes a main body section extending about the heel and sides of the foot and a toe section extending around and over the toe area of the foot. The main body section of the upper defines an ankle opening, the margins of which extend below the ankle bone on the lateral and medial side of the wearer's foot. A break-away high top including an ankle cuff is removably secured to the main body section of the upper and is adapted to wrap around the wear-

er's ankle. Attaching the high top to the upper converts the athletic shoe from a low top athletic shoe to a high top athletic shoe.

[0009] U.S. Pat. No. 5,740,559 issued Apr. 21, 1998, by Thiel for a Footwear Accessory for Use with a Shoe to Simulate the Appearance of a Boot discloses a footwear accessory for use with a shoe that includes a stocking-like structure having a lower foot portion and an upper ankle portion; wherein the lower foot portion is made of a porous hosiery material and the upper ankle portion is made of a material which simulates a boot leg. The upper ankle portion is made of a stretchable material, may have a glossy or non-glossy appearance, may be a solid color or a print, may be provided with different textures and may include a functional closure device such as a zipper or a number of buttons or clasps. The dimensions of the upper and lower portions of the footwear accessory are chosen so that the lower foot portion is completely concealed by a shoe. The dimensions of the upper ankle portion may vary to cover any length of leg desired. One embodiment has an upper ankle portion which terminates slightly below the knee. Another embodiment has an upper portion which terminates above the knee at a mid-portion of the thigh.

[0010] Changeable cuffs as a means to accessorize clothing are known in the prior art. For instance, US Patent Application 2006/0277660 published Dec. 14, 2006, by MacMillan for Pant Legs with Changeable Cuffs discloses pants and especially blue jeans that are provided with decorative exchangeable cuffs. The bottoms of jeans made from denim material and other pants have an area that often hangs in folds or wrinkles over the shoes and is otherwise unsightly. A detachable decorative cuff is disclosed that has a vertical side slit which makes the lower end portion of jeans more attractive and stylish. The detachable connecting elements can include buttons, snaps, or hook and loop material on the pants and cuffs and are located in predetermined locations to permit interchangeability among a wide variety of cuff styles and colors.

[0011] However, the prior art does not provide for the transformation of boot footwear either to lend a different appearance to the boot or to coordinate the boot with an outfit of a user. The present invention provides an attachable cuff for a boot that enables a user to transform the appearance of a boot, or to accessorize a boot to coordinate with an outfit.

BRIEF SUMMARY OF THE INVENTION

[0012] The present invention relates to a fashion accessory, in particular an attachable cuff for a boot; wherein an attachable cuff for a boot comprises a cuff; a cuff attachment means affixed to said cuff; and a boot attachment means affixed to a boot; wherein the cuff attachment means and the boot attachment means mate with each other and removably attach the cuff to the boot. Preferably, the cuff attachment means is affixed to an interior surface of the cuff; and the boot attachment means is affixed to an interior surface of the boot. Alternatively, the boot attachment means is affixed to an exterior surface of the boot. The cuff attachment means and the boot attachment means are selected from a group comprising hook and loop tape (for example, Velcro® brand tape), buttons and buttonholes, snaps, zippers, hooks and eyes, tongue and groove closures, and the like.

[0013] In an alternative embodiment, the attachable cuff for a boot comprises a cuff and a cuff attachment means affixed to said cuff; wherein the cuff attachment means removably

attaches the cuff to the boot or to a leg of a user. In this alternative embodiment, the cuff is fashioned like a garter.

BRIEF DESCRIPTION OF THE SEVERAL VIEWS OF THE DRAWING(S)

- [0014] FIG. 1 is a partial, perspective view of a boot with a boot attachment means to receive an attachable cuff of the present invention.
- [0015] FIG. 2 is a medial side view of a boot with an attachable cuff of the present invention; wherein the cuff is attached to the boot.
- [0016] FIG. 3 is a lateral side view of a boot with an attachable cuff of the present invention; wherein the cuff is attached to the boot.
- [0017] FIG. 4 is a partial, cut-away view along line A-A of FIG. 3 of an attachable cuff of the present invention; wherein the cuff is attached to a boot.
- [0018] FIG. 5 is a partial, cut-away view along line B-B of FIG. 2 of an attachable cuff for a boot of the present invention; wherein the cuff is attached to a boot.
- [0019] FIG. 6 is a plan view of an attachable cuff of the present invention.

LIST OF REFERENCE NUMERALS

- [0020] 2 boot
- [0021] 4 boot exterior surface
- [0022] 6 boot interior surface
- [0023] 8 zipper
- [0024] 10 boot attachment means
- [0025] 12 cuff
- [0026] 14 cuff attachment means
- [0027] 16 cuff exterior surface
- [0028] 18 cuff interior surface
- [0029] 20 boot top edge

DETAILED DESCRIPTION OF THE INVENTION

- [0030] An attachable cuff of the present invention may be understood with reference to the Figures. With reference to FIG. 3, shown is a cuff 12 of the present invention attached to a boot 2. The cuff 12 may be made of any decorative material of a user's choice, such as, but not limited to, a group of decorative materials comprising fur, faux fur, cloth, ribbon, beads, fringe, and the like.
- [0031] With reference to FIG. 1, FIG. 4 and FIG. 5, in an embodiment of the present invention the cuff 12 may be removably attached to a boot attachment means 10, which boot attachment means 10 is affixed to a boot interior surface 6. A boot 2 may have the boot attachment means 10 affixed to the boot interior surface 6 either pre-market at the time of manufacture of the boot 2, or after market by a user.
- [0032] The boot attachment means 10 may be affixed to a boot 2 by any suitable affixture means, such as, but not limited to a group of affixture means comprising sewing, gluing, adhesive material, and the like. The boot attachment means 10 may be affixed either to a boot exterior surface 4 or, preferably, a boot interior surface 6. If the boot attachment means 10 is affixed to a boot interior surface 6, then the boot 2 may be worn by a user without a cuff 2 and without the boot attachment means 10 being visible.
- [0033] The cuff attachment means 14 may be affixed to a cuff 12 of the present invention by any suitable affixture means, such as, but not limited to a group of affixture means

comprising sewing, gluing, adhesive material, and the like. The cuff attachment means 14 is affixed to a cuff interior surface 18.

- [0034] The boot attachment means 10 and the cuff attachment means 14 mate with one another and are removably attachable to each other. The boot attachment means 10 and the cuff attachment means 14 mate with each other to removably attach the cuff 12 of the present invention to a boot 2 and may be comprised of any suitable attachment means, such as, but not limited to a group of attachment means comprising hook and loop tape (for example, Velcro® brand tape), buttons and buttonholes, snaps, zippers, hooks and eyes, tongue and groove closures (for example, such as those tongue and groove sealable closures used on Ziploc® brand plastic bags), and the like.
- [0035] For illustrative purposes, in a preferred embodiment of the present invention, the cuff attachment means 14 is a hook element of hook and loop tape and the boot attachment means 10 is a loop element of hook and loop tape; wherein the hook element and the loop element mate with each other to attach the cuff 12 of the present invention to a boot 2. It is preferable for the boot attachment means 10 to be a loop element of hook and loop tape, because the loop element is relatively smooth and serves to prevent damage to a user's skin, socks, hosiery or the like when a boot 2 with the boot attachment means 10, but without a cuff 12 of the present invention, is worn by a user. Conversely, in another embodiment of the present invention, the cuff attachment means 14 is a loop element of hook and loop tape and the boot attachment means 10 is a hook element of hook and loop tape.
- [0036] In another embodiment of the present invention, the cuff attachment means 14 is a plurality of buttonholes and the boot attachment means 10 is a plurality of buttons; wherein the buttonholes and buttons mate with each other to attach the cuff 12 of the present invention to a boot 2. Conversely, in another embodiment of the present invention, the cuff attachment means 14 is a plurality of buttons and the boot attachment means 10 is a plurality of buttonholes.
- [0037] In another embodiment of the present invention, the cuff attachment means 14 is a plurality of male snap elements and the boot attachment means 10 is a plurality of female snap elements; wherein the male and female snap elements mate with each other to attach the cuff 12 of the present invention to a boot 2. Conversely, in another embodiment of the present invention, the cuff attachment means 14 is a plurality of female snap elements and the boot attachment means 10 is a plurality of male snap elements.
- [0038] In another embodiment of the present invention, the cuff attachment means 14 is a plurality of first zipper teeth and the boot attachment means 10 is a plurality of second zipper teeth; wherein the first zipper teeth and the second zipper teeth mate with each other to form a zipper to attach the cuff 12 of the present invention to a boot 2.
- [0039] In another embodiment of the present invention, the cuff attachment means 14 is a plurality of hook elements and the boot attachment means 10 is a plurality of eye elements; wherein the hook elements and the eye elements mate with each other to attach the cuff 12 of the present invention to a boot 2. Conversely, in another embodiment of the present invention, the cuff attachment means 14 is a plurality of eye elements and the boot attachment means 10 is a plurality of hook elements.
- [0040] In another embodiment of the present invention, the cuff attachment means 14 is a tongue element of a tongue and

groove closure and the boot attachment means 10 is a groove element of a tongue and groove closure; wherein the tongue element and the groove element mate with each other to attach the cuff 12 of the present invention to a boot 2. Conversely, in another embodiment of the present invention, the cuff attachment means 14 is a groove element of a tongue and groove closure and the boot attachment means 10 is a tongue element of a tongue and groove closure.

[0041] As previously disclosed with regard to hook and loop tape comprising the boot attachment means 10 and the cuff attachment means 14, for each of the other disclosed attachments means, it is preferable for the boot attachment means 10 to be relatively smooth and serve to prevent damage to a user's skin, socks, hosiery or the like when a boot 2 with the boot attachment means 10, but without a cuff 12 of the present invention, is worn by a user.

[0042] With reference to FIG. 4, FIG. 5 and FIG. 6, to attach the cuff 12 of the present invention to a boot 2, the cuff attachment means 14 is mated with the boot attachment means 10 such that a cuff exterior 16 extends outside of the boot 2 and beyond a boot top edge 20. The cuff 12 of the present invention is folded or draped over the boot exterior surface 6. After attachment of the cuff 12 of the present invention to a boot 2, the boot 2 is fashionably transformed as shown in FIG. 2 and FIG. 3.

[0043] The size of the cuff 12 of the present invention is of a sufficient width to extend around the circumference of a boot top edge 20 of a boot 2 and is of a sufficient height to fold or drape over the boot top edge 20 to a desired length along the boot exterior surface 4.

[0044] When the cuff 12 of the present invention is attached to a boot 2, it is preferable that the cuff 12 of the present invention does not interfere with a zipper 8, or other closure means, such as laces, of a boot 2.

[0045] In an alternative embodiment, the attachable cuff 12 for a boot 2 comprises a cuff 12 and a cuff attachment means 14 affixed to said cuff 12; wherein the cuff attachment means 14 removably attaches the cuff 12 to the boot 2 or to a leg of a user. In this alternative embodiment, the cuff 12 is fashioned like a garter; wherein the cuff 12 is a unitary, circular piece of decorative material. The cuff attachment means 14 is affixed to a cuff interior surface 18 in a position such that a sufficient portion of the cuff 12 either may be tucked inside a boot 2, or folded over a boot top edge 20 and draped on the boot exterior surface 4. The preferred cuff attachment means 14 is elastic, but may be any suitable material that allows the cuff 12 to be removably attached to the boot 2 or the leg of a user.

[0046] In this alternative embodiment, the cuff 12 may be slipped over a boot 2 and positioned on a boot 2 in such a manner that the cuff attachment means 14 is in proximity to, but below, the boot top edge 20. A portion of the cuff 12 that extends beyond the boot top edge 20 is tucked inside the boot 2.

[0047] In this same embodiment, alternatively, the cuff 12 may be turned inside out and slipped over a leg of a user and positioned on the user's leg in such a manner that the cuff exterior surface 16 is against the user's leg and the cuff attachment means 14 is in proximity to, but below, the boot top edge 20 when the user puts on the boot 2. A portion of the cuff 12 that extends beyond the boot top edge 20 is folded over the boot top edge 20 and draped on the boot exterior surface 4.

[0048] Although the present invention has been described with reference to specific embodiments, it is understood that modifications and variations of the present invention are pos-

sible without departing from the scope of the invention, which is defined by the claims set forth below.

The invention claimed is:

1. An attachable cuff for a boot comprising:

- a. a cuff;
 - b. a cuff attachment means affixed to said cuff; and
 - c. a boot attachment means affixed to a boot;
- wherein the cuff attachment means and the boot attachment means mate with each other and removably attach the cuff to the boot.

2. An attachable cuff for a boot as claimed in claim 1; wherein the cuff attachment means and the boot attachment means are comprised of hook and loop tape; wherein a hook element and a loop element of the hook and loop tape mate with each other to attach the cuff to the boot.

3. An attachable cuff for a boot as claimed in claim 1; wherein the cuff attachment means and the boot attachment means are comprised of a plurality of buttonholes and buttons; wherein the buttonholes and buttons mate with each other to attach the cuff to the boot.

4. An attachable cuff for a boot as claimed in claim 1; wherein the cuff attachment means and the boot attachment means are comprised of a plurality of male snap elements and female snap elements; wherein the male snap elements and the female snap elements mate with each other to attach the cuff to the boot.

5. An attachable cuff for a boot as claimed in claim 1; wherein the cuff attachment means and the boot attachment means are comprised of a plurality of zipper teeth; wherein the zipper teeth mate with each other to attach the cuff to the boot.

6. An attachable cuff for a boot as claimed in claim 1; wherein the cuff attachment means and the boot attachment means are comprised of a plurality of hooks and eyes; wherein the hooks and eyes mate with each other to attach the cuff to the boot.

7. An attachable cuff for a boot as claimed in claim 1; wherein the cuff attachment means and the boot attachment means are comprised of a tongue and groove closure; wherein a tongue element and a groove element of the tongue and groove closure mate with each other to attach the cuff to the boot.

8. An attachable cuff for a boot comprising:

- a. a cuff;
 - b. a cuff attachment means affixed to said cuff; and
 - c. a boot attachment means affixed to a boot;
- wherein the cuff attachment means and the boot attachment means mate with each other and removably attach the cuff to the boot;

further wherein the cuff attachment means is affixed to an interior surface of the cuff; and

further wherein the boot attachment means is affixed to an interior surface of the boot.

9. An attachable cuff for a boot as claimed in claim 8; wherein the cuff attachment means and the boot attachment means are comprised of hook and loop tape; wherein a hook element and a loop element of the hook and loop tape mate with each other to attach the cuff to the boot.

10. An attachable cuff for a boot as claimed in claim 8; wherein the cuff attachment means and the boot attachment means are comprised of a plurality of buttonholes and buttons; wherein the buttonholes and buttons mate with each other to attach the cuff to the boot.

11. An attachable cuff for a boot as claimed in claim 8; wherein the cuff attachment means and the boot attachment means are comprised of a plurality of male snap elements and female snap elements; wherein the male snap elements and the female snap elements mate with each other to attach the cuff to the boot.

12. An attachable cuff for a boot as claimed in claim 8; wherein the cuff attachment means and the boot attachment means are comprised of a plurality of zipper teeth; wherein the zipper teeth mate with each other to attach the cuff to the boot.

13. An attachable cuff for a boot as claimed in claim 8; wherein the cuff attachment means and the boot attachment means are comprised of a plurality of hooks and eyes; wherein the hooks and eyes mate with each other to attach the cuff to the boot.

14. An attachable cuff for a boot as claimed in claim 8; wherein the cuff attachment means and the boot attachment means are comprised of a tongue and groove closure; wherein a tongue element and a groove element of the tongue and groove closure mate with each other to attach the cuff to the boot.

15. An attachable cuff for a boot comprising:

- a. a cuff;
- b. a cuff attachment means affixed to said cuff; and
- c. a boot attachment means affixed to a boot;

wherein the cuff attachment means and the boot attachment means mate with each other and removably attach the cuff to the boot;

further wherein the cuff attachment means is affixed to an interior surface of the cuff; and

further wherein the boot attachment means is affixed to an exterior surface of the boot.

16. An attachable cuff for a boot as claimed in claim 15; wherein the cuff attachment means and the boot attachment means are comprised of hook and loop tape; wherein a hook element and a loop element of the hook and loop tape mate with each other to attach the cuff to the boot.

17. An attachable cuff for a boot as claimed in claim 15; wherein the cuff attachment means and the boot attachment means are comprised of a plurality of buttonholes and buttons; wherein the buttonholes and buttons mate with each other to attach the cuff to the boot.

18. An attachable cuff for a boot as claimed in claim 15; wherein the cuff attachment means and the boot attachment means are comprised of a plurality of male snap elements and female snap elements; wherein the male snap elements and the female snap elements mate with each other to attach the cuff to the boot.

19. An attachable cuff for a boot as claimed in claim 15; wherein the cuff attachment means and the boot attachment means are comprised of a plurality of zipper teeth; wherein the zipper teeth mate with each other to attach the cuff to the boot.

20. An attachable cuff for a boot as claimed in claim 15; wherein the cuff attachment means and the boot attachment means are comprised of a plurality of hooks and eyes; wherein the hooks and eyes mate with each other to attach the cuff to the boot.

21. An attachable cuff for a boot as claimed in claim 15; wherein the cuff attachment means and the boot attachment means are comprised of a tongue and groove closure; wherein a tongue element and a groove element of the tongue and groove closure mate with each other to attach the cuff to the boot.

22. An attachable cuff for a boot comprising:

- a. a cuff; and
- b. a cuff attachment means affixed to said cuff; wherein the cuff attachment means removably attaches the cuff to the boot.

23. An attachable cuff for a boot comprising:

- a. a cuff; and
- b. a cuff attachment means affixed to said cuff; wherein the cuff attachment means removably attaches the cuff to a leg of a user.

* * * * *